



ATEX SERIES

ATEX Gateway

Product Datasheet | SKU: 2200000001EX



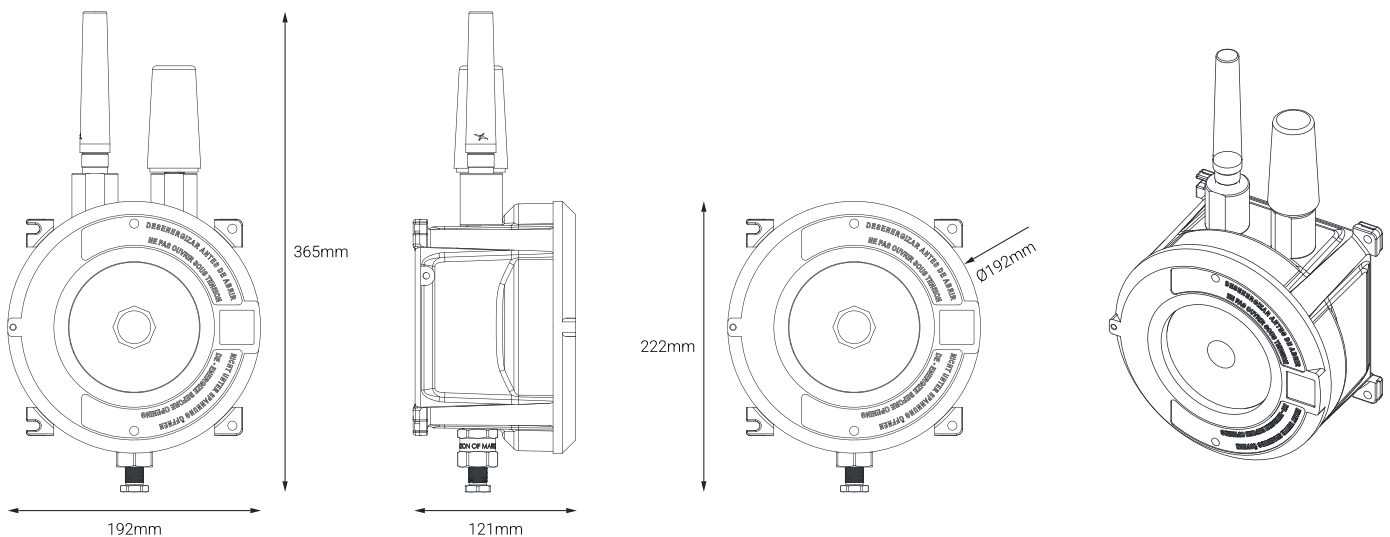
OVERVIEW

The ATEX Gateway is a certified infrastructure component designed for reliable data transmission in ATEX Zone 1 environments where explosive atmospheres may be present. It acts as a bridge between RTLS devices and the central platform, supporting real-time visibility across industrial operations.

Built for use in hazardous environments, the ATEX gateway features a robust Ex d enclosure and flexible installation options, making it suitable for a wide range of industrial settings.

HIGHLIGHTS

- ATEX Zone 1 certified for use in environments where explosive atmospheres may occur
- Supports BLE and UWB channels
- Aluminum Ex d enclosure for safe operation in hazardous environments
- PoE-powered for simplified installation
- Flexible mounting options: wall, ceiling, or walkway
- Industrial-grade design for harsh conditions
- Secure and stable Ethernet connectivity
- Remote firmware update support
- Designed for safety-critical and compliance-driven operations



05.2026

KEY FACTS

Physical and Environmental

Scope	Industrial & Outdoor
Dimensions (WxHxL)	192 x 365 x 121 mm (7.56 x 14.37 x 4.77 in.)
Dimensions w/o Antennas (WxHxL)	192 x 222 x 121 mm (7.56 x 8.74 x 4.77 in.)
Weight	4.5 Kg
Supply Options	PoE
Environmental Protection	IP65
Operating Temperature Range	-10°C to +60°C (14°F to 140°F)
Relative Humidity	0 to 95% non-condensing
Casing	Aluminum Exd
Remote Firmware Update	Yes
Power Consumption	Average: 2 W Maximum: 5 W

Features

Indications	LED (Red)
Frequency	2.4GHz ISM & UWB channels
Bluetooth Protocol	BLE 4.x and 5.x

Regulatory Compliance

Certifications	CE (Conformité Européene) RoHS (Restriction of Hazardous Substances Directive) ATEX (Atmospheres Explosibles) <ul style="list-style-type: none"> • Ex II 2GD Ex db IIC T4/T6 • Ex tb IIIC T85/T100 °C
-----------------------	---

SKU No.	Product Name	Indicators
220000001EX	Litum Atex Zone1 Endurance Gateway POE	Light Indicator