



ATEX SERIES

ATEX Dualis Tag

Product Datasheet | SKU: 6370000001EX



OVERVIEW

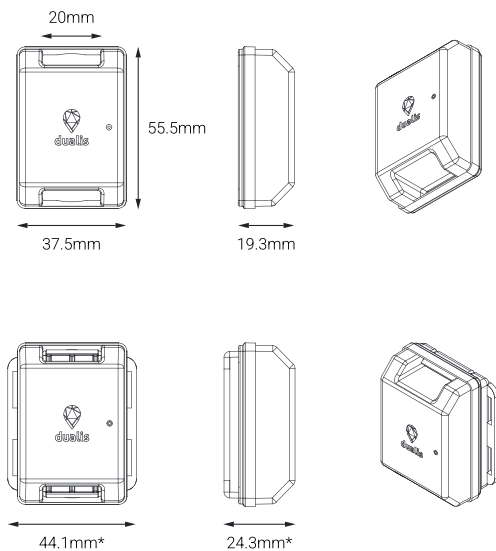
Dualis ATEX Tag is a certified tracking device developed for hazardous environments where explosive gases or dust may be present. It ensures safe and accurate monitoring of assets, equipment, and personnel using Bluetooth® Low Energy (BLE) and Ultra-Wideband (UWB) technologies.

The tag's replaceable battery offers up to 5 years of operation, reducing maintenance needs, while its IP67-rated enclosure provides strong resistance against dust, water, and harsh industrial conditions. Integrated motion detection and tamper alerts further enhance reliability, making the Dualis ATEX Tag a robust solution for long-term asset management and compliance in safety-critical facilities.

HIGHLIGHTS

- ATEX Certified for use in hazardous areas.
- Replaceable battery with up to 5 years lifespan, reducing maintenance efforts.
- IP67-rated enclosure: fully dust-tight, waterproof, and resistant to harsh cleaning and sterilization.
- Hybrid BLE + UWB location technology, enabling sub-meter accuracy for critical tracking needs.
- Motion sensor for power-saving modes and inactivity detection.
- Magnetic sensors to support user interaction and enhance functionality.
- Over-the-air firmware updates without interrupting service.
- Tamper-resistant construction for enhanced security.
- Compact and lightweight design suitable for industrial safety applications.

DIMENSIONS



*Dimensions with the Dualis cradle attached.

USE CASES

Asset Tracking: Real-time tracking of valuable assets within a facility, providing precise location data to enhance security and operational efficiency. The long battery life and replaceable battery make it ideal for long-term asset management. Safe, real-time tracking of valuable assets within ATEX-regulated environments, enhancing safety and operational control.

Process Tracking: Monitors various processes within a facility, ensuring that operations are running smoothly and efficiently. Helps in identifying bottlenecks and areas for improvement.

Zone Access Control: Restricts and monitors access to specific zones within a facility, ensuring only authorized personnel can enter designated areas. Prevents unauthorized access and enhances security.

05.2026

KEY FACTS

Physical and Environmental

Dimensions (WxHxL)	44.1 mm x 55.5 mm x 24.3 mm (1.74 in x 2.19 in x 0.96 in)
Dimensions w/o Cradle (WxHxL)	37.5 mm x 55.5 mm x 19.3 mm (1.48 in x 2.19 in x 0.76 in)
Weight	28 g (1 oz)
Material Type	Industrial-grade housing, IP67 dust/water resistant
Color Options	Yellow
Battery Type and Capacity	Li-SOCI2 1200 mAh
Battery Life	Up to 5 years
Ingress Protection	IP67
Operating Temperature Range	-30°C to +70°C (-22°F to +158°F)
Storage Temperature Range	-30°C to +70°C (-22°F to +158°F)
Humidity Tolerance	0 to 95% non-condensing

Hardware and Connectivity

LED Indicators	Status, Activity
Buzzer	Yes (Optional)
Motion Sensor	Yes
Tamper Detection	Yes
Magnetic Sensor	Yes
Firmware Upgrade	OTA (Over-the-Air)
Communication Protocols	BLE, UWB

Regulatory Compliance

Industry Standards Compliance	CE (Conformité Européene) RoHS (Restriction of Hazardous Substances Directive) ATEX (<i>In Progress</i>) <ul style="list-style-type: none">• Ex II 2G Ex ib IIC T4 Gb• Ex II 2D Ex ib IIIB T135°C Db
--------------------------------------	---